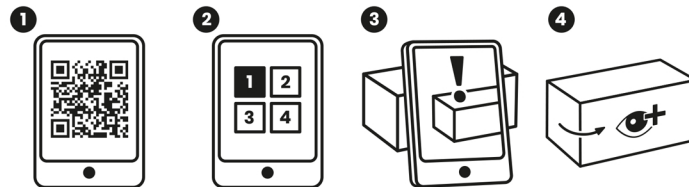
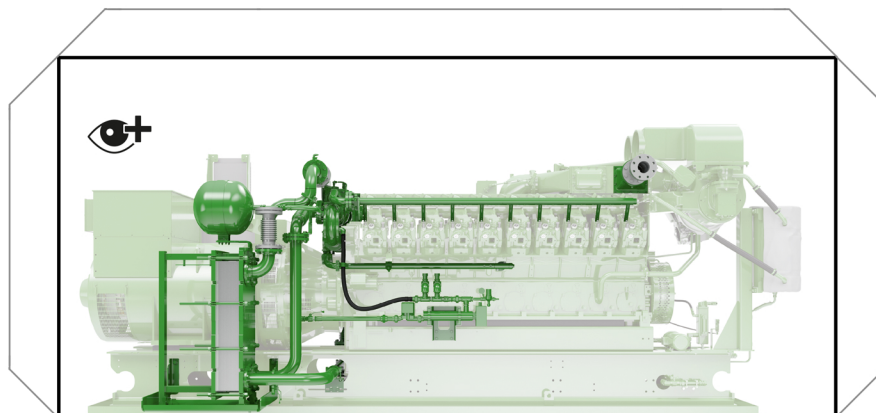


# INNIO\* Learning Experiences

How does a Jenbacher\* work?  
Print your own box!

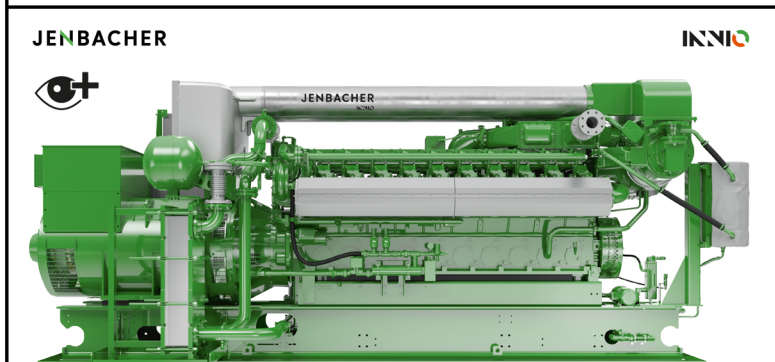
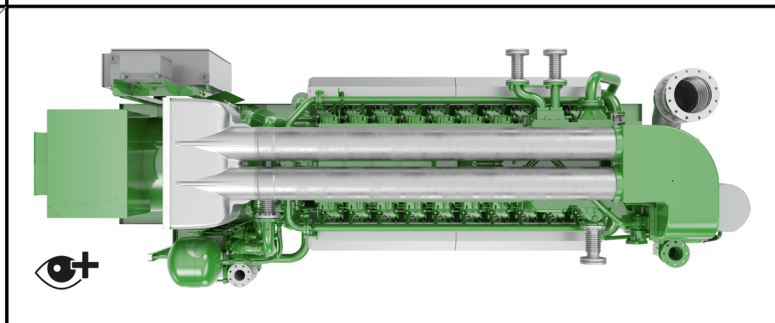
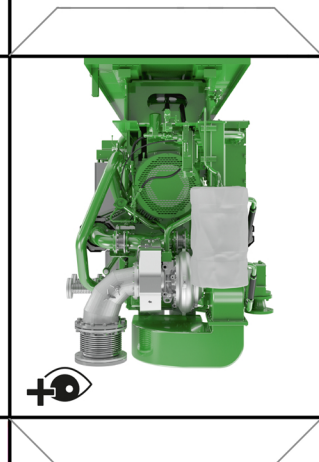
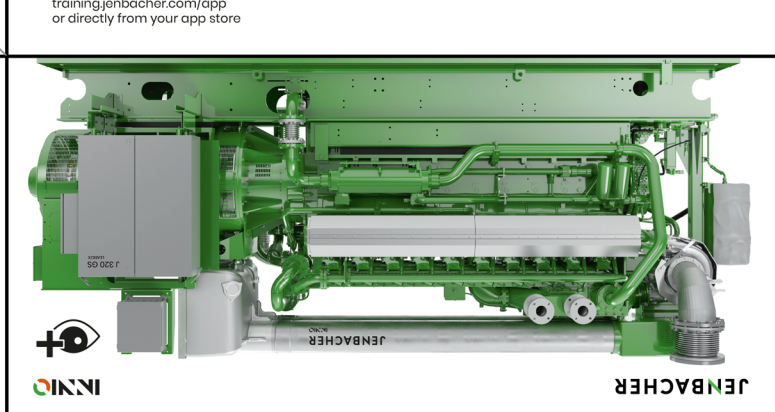
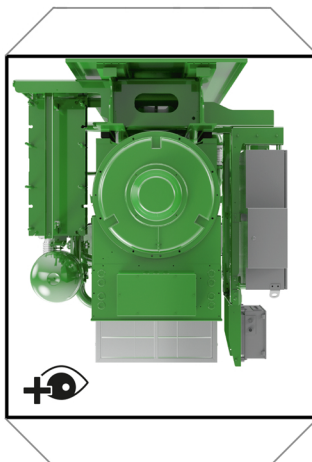


Download the **INNIO Learning Experiences** app from [training.jenbacher.com/app](http://training.jenbacher.com/app) or directly from your app store

Select "How does a Jenbacher Work"

Start the Augmented Reality version

Collect all parts and start your engine



\*indicates a trademark